

COMPACT VALVE - 1/4

Series DS2

Cat No DS2 - 02 - 10 - B

MANUALLY OPERATED VALVE - NPT 1/4 (G1/4)

Features

- ❑ Compact size
- ❑ Suitable for panel mounting
- ❑ Mounting provision for individual unit

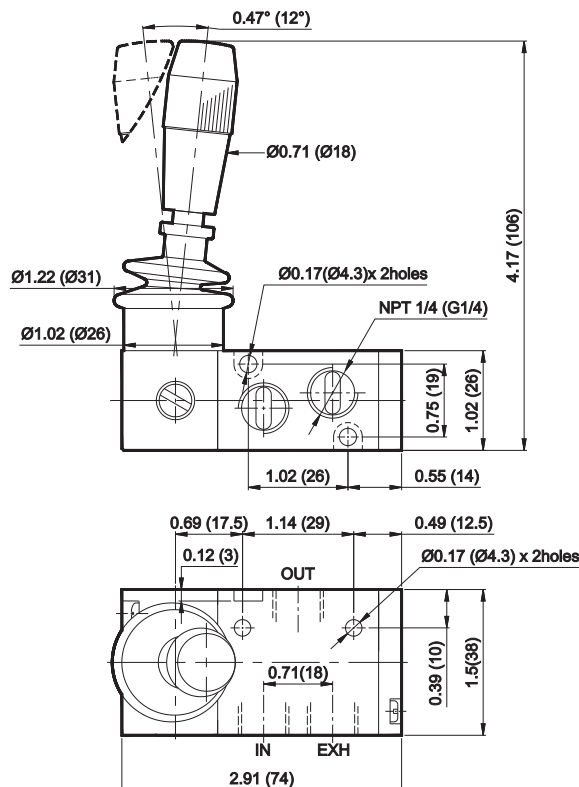


Technical Specifications

Model	DS2	
Type	3/2	5/2 & 5/3
Design	Spool type	
Port Size	Inlet, Outlet, Exhaust - NPT 1/4 (G1/4)	Inlet, Outlet - NPT 1/4 (G1/4), Exhaust - NPT 1/8 (G1/8)
Medium	Compressed air - Dry, filtered, lubricated	
Max. Working Pressure in psi (bar)	145 (10)	
Recommended oil for lubrication	ISO VG32 (Servo system 32)	
Ambient / Medium temperature	41° - 140° F (5° - 60° C)	
Flow rate in scfm (NI/min) [®]	42 (1200)	
Materials of construction	Aluminium, Nitrile, Brass, Acetal	

@ Supply pressure 87 psi (6 bar), Pressure drop $\Delta p = 14.5$ psi (1bar)

3 / 2 Hand lever operated valve with spring return



1 - Inlet, 2 - Outlet, 3 - Exhaust

Ordering No	NPT	DS235HR91	DS245HR91
	G	(DS235HR61)	(DS245HR61)
Type		Normally open	Normally closed
Symbol			

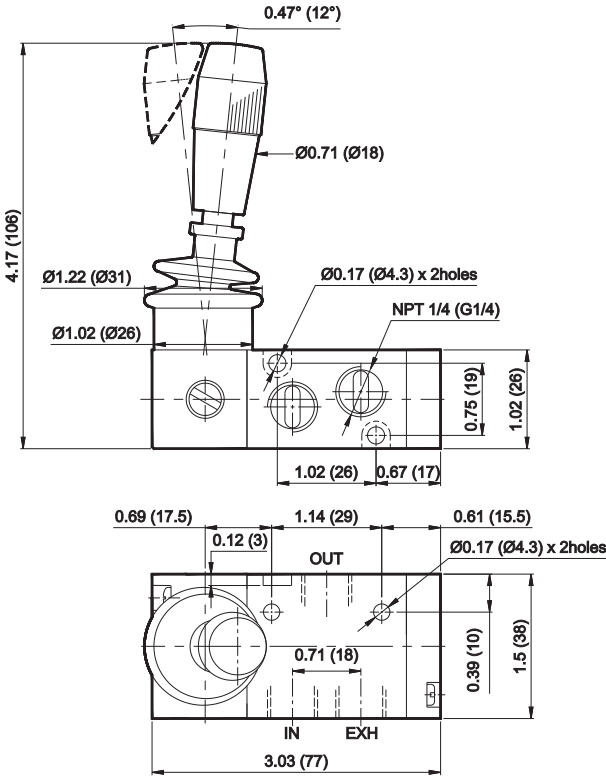
Note: All the dimensions are in Inch (mm)

COMPACT VALVE - 1/4

Series DS2

Cat No DS2 - 02 - 10 - B

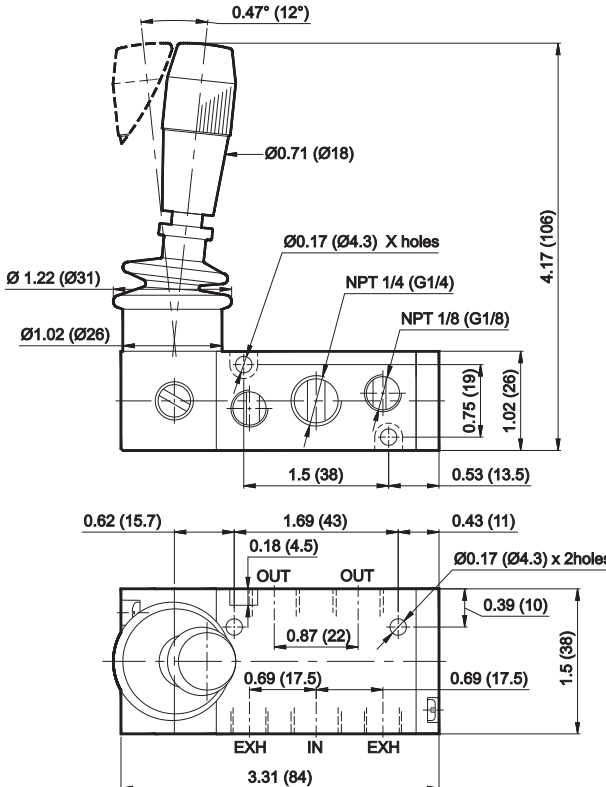
3 / 2 Hand lever operated valve with detent



1 - Inlet, 2 - Outlet, 3 - Exhaust

Ordering No	NPT	DS235HD91	DS245HD91
	G	(DS235HD61)	(DS245HD61)
Type		Normally open	Normally closed
Symbol			

5 / 2 Hand lever operated valve with spring return



1 - Inlet, 2,4 - Outlet, 3,5 - Exhaust

Ordering No	NPT	DS255HR91
	G	(DS255HR61)
Symbol		

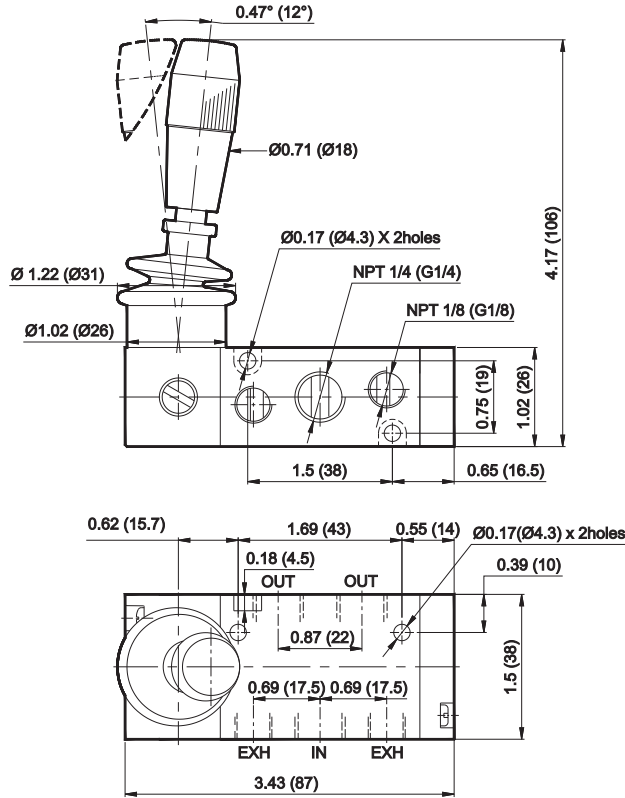
Note: All the dimensions are in Inch (mm)

COMPACT VALVE - 1/4

Series DS2

Cat No DS2 - 02 - 10 - B

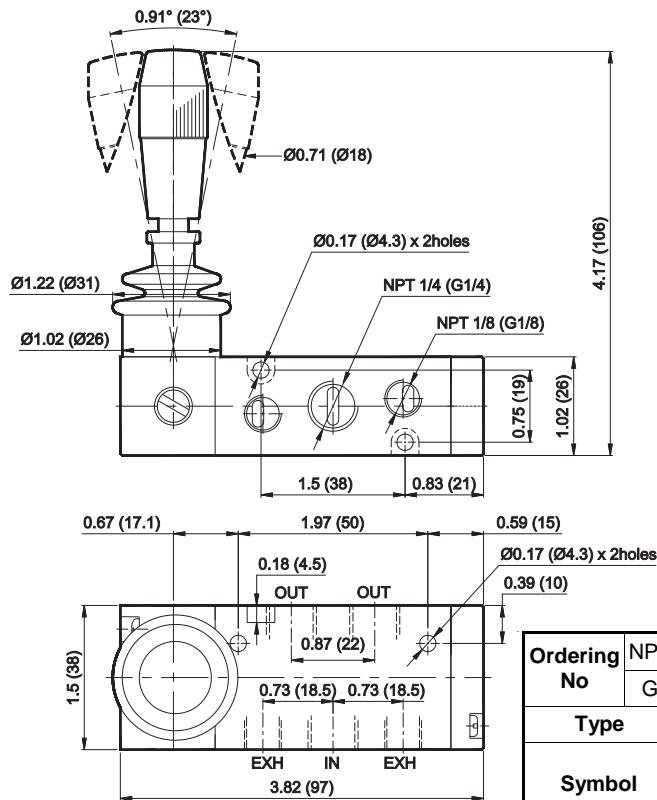
5 / 2 Hand lever operated valve with detent



1 - Inlet, 2,4 - Outlet, 3,5 - Exhaust

Ordering No	NPT	DS255HD91
	G	(DS255HD61)
Symbol		

5 / 3 Hand lever operated valve with detent



1 - Inlet, 2,4 - Outlet, 3,5 - Exhaust,

Ordering No	NPT	DS265HD91	DS275HD91	DS285HD91
	G	(DS265HD61)	(DS275HD61)	(DS285HD61)
Type	Blocked		Exhausted	Energised
Symbol				

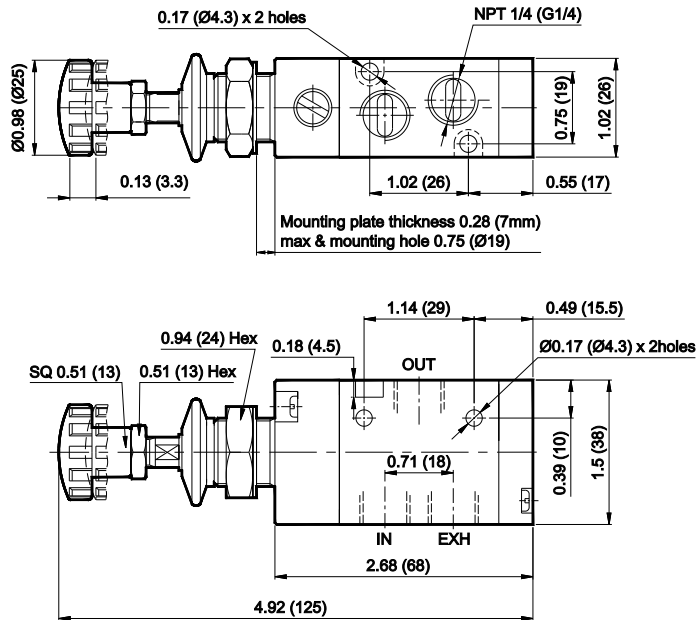
Note: All the dimensions are in Inch (mm)

COMPACT VALVE - 1/4

Series DS2

Cat No DS2 - 02 - 10 - B

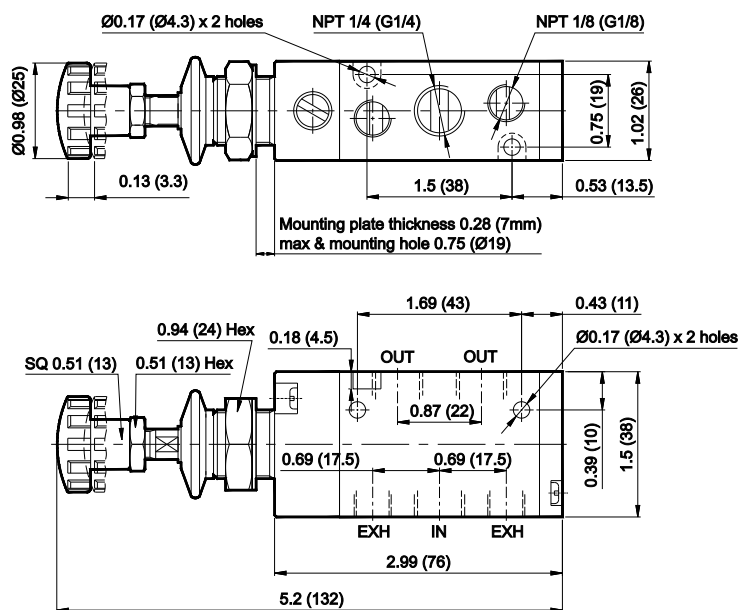
3 / 2 Push Pull operated valve with detent



1 - Inlet, 2 - Outlet, 3 - Exhaust

Ordering No	NPT	DS235PD91	DS245PD91
	G	(DS235PD61)	(DS245PD61)
Type		Normally open	Normally closed
Symbol			

5 / 2 Push Pull operated valve with spring return



1 - Inlet, 2,4 - Outlet, 3,5 - Exhaust

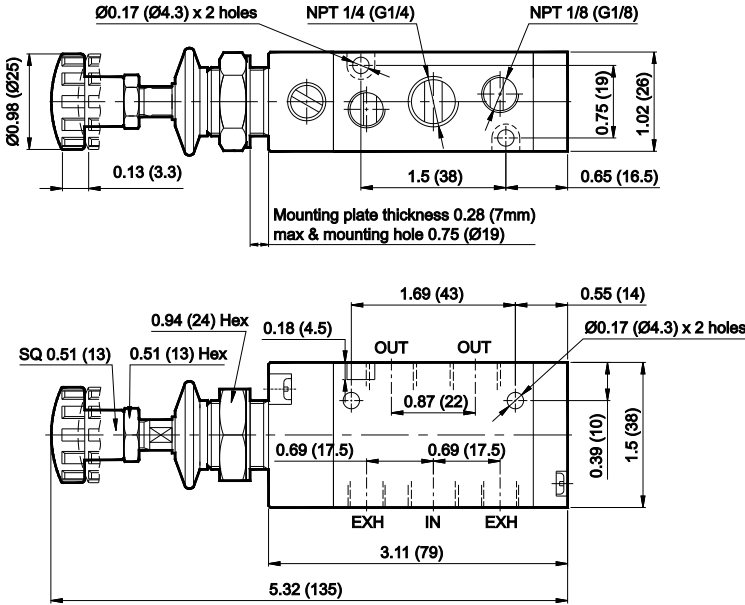
Ordering No	NPT	DS255PR91
	G	(DS255PR61)
Symbol		

COMPACT VALVE - 1/4

Series DS2

Cat No DS2 - 02 - 10 - B

5 / 2 Push Pull operated valve with detent



1 - Inlet, 2,4 - Outlet, 3,5 - Exhaust

Ordering No	NPT	DS255PD91
	G	(DS255PD61)
Symbol	<p>4 2 5 1 3</p>	

How to Order

While ordering valve, mention the ordering number given in the corresponding tables.